

# FBINT



\*Flush box not included.

Flush Box Intumescent Pads are designed to be installed into metal flush boxes installed in hollow fire rated walls.

## SUITABLE FOR FITTING TO:

- > Plasterboard walls

## FEATURES:

- > Totally unaffected by water
- > Low profile pad with minimal impact on space
- > Easy to install

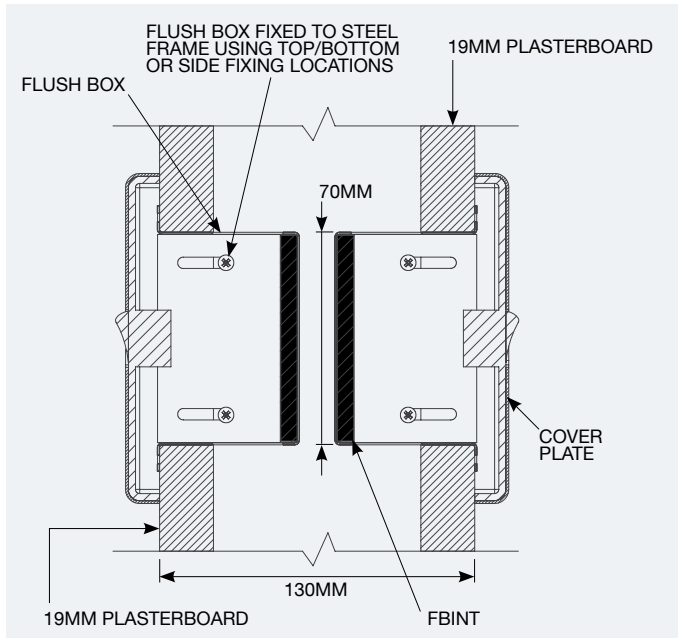
## INSTALLATION INSTRUCTIONS:

1. Fix flush box to framing and to relevant detail (opposite).
2. Firmly insert FBINT with adhesive against back of flush box.
3. Finish installation of wiring and fix face plate.

## PLASTERBOARD WALL TEST RESULTS:

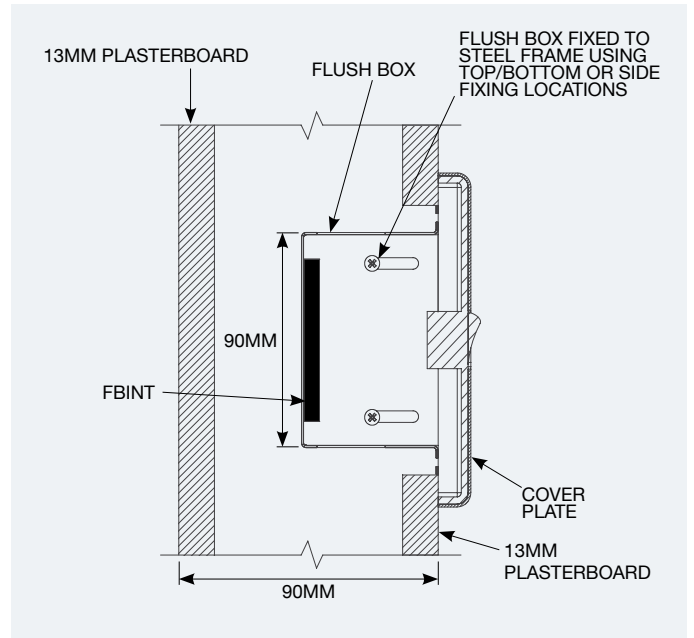
FLUSH BOX	PRODUCT CODE	INSTALL	PLASTERBOARD WALL FRL*	REPORT NUMBER
<b>13MM PLASTERBOARD WALL</b>				
Double Flush Box - 100x75x48mm	FBINT	Detail 2	-/60/60	13509-001
Single Flush Box - 95x50x48mm	FBINT	Detail 2	-/60/45	180434
<b>13MM STANDARD NON-FIRE RATED PLASTERBOARD WALL</b>				
Double Flush Box - 100x75x48mm	FBINT	Detail 2	-/30/30	13088-001
<b>19MM PLASTERBOARD WALL</b>				
Single Flush Box - 75x50x52mm	FBINT	Detail 1	-/120/90	4101

**DETAIL 1:**



**Detail 1:** Tested as a back to back installation on a hollow wall system comprised of a 92mm steel frame and 1 x layer of 19mm fire rated plasterboard on each side of the frame (total wall thickness of 130mm). Flush box fixed to the frame using top/bottom or side fixing locations with an Allproof FBINT pad installed on internal rear surface.

**DETAIL 2:**



**Detail 2:** Tested using a 64mm wide steel stud with a single layer of 13mm plasterboard on each side of the frame. A total wall thickness of 90mm. Flush box fixed to the frame using top/bottom or side fixing locations with an Allproof FBINT pad installed on internal rear surface.

